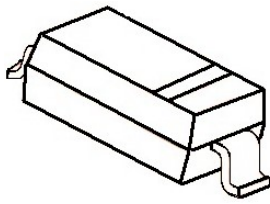


SOD-323

SOD-323 Plastic-Encapsulate Schottky Barrier Diode



Marking: SM

特征 Features

- 大电流承受能力.High Current Capability
- 正向压降低.Low Forward Voltage Drop
- 漏电流小.Low IR

机械数据 Mechanical Data

- 封装: SOD-323 封装 SOD-323 Small Outline Plastic Package
- 极性: 色环端为负极 Polarity: Color band denotes cathode end
- 环氧树脂 UL 易燃等级 Epoxy UL: 94V-0
- 安装位置: 任意 Mounting Position: Any

极限值和温度特性(TA = 25℃ 除非另有规定)

Maximum Ratings & Thermal Characteristics (Ratings at 25℃ ambient temperature unless otherwise specified.)

参数 Parameters	符号 Symbol	数值 Value	单位 Unit
最大可重复峰值反向电压 Maximum repetitive peak reverse voltage	VRRM	60	V
最大均方根电压 Maximum RMS voltage	VRMS	42	V
最大直流阻断电压 Maximum DC blocking voltage	VDC	60	V
最大正向平均整流电流 Maximum average forward rectified current	IFM	1	A
峰值正向浪涌电流 8.3ms 单一正弦半波 Peak forward surge current 8.3 ms single half sine-wave	IFSM	10	A
典型热阻 Typical thermal resistance	RθJA	400	℃/W
功率消耗 Power Dissipation	PD	250	mW
结温 Junction temperature	Tj	125	℃
存储温度 Storage temperature range	TSTG	-55-+150	℃

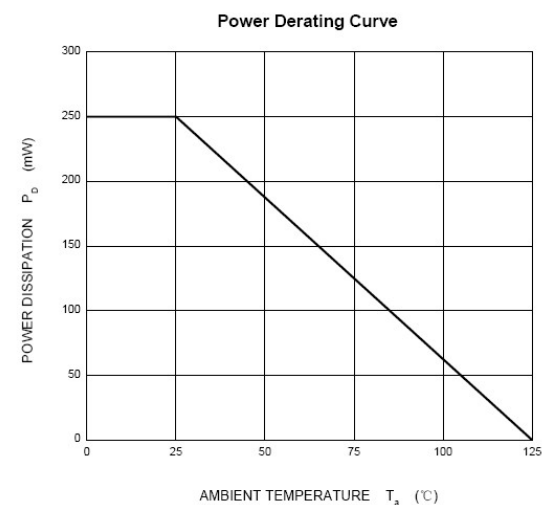
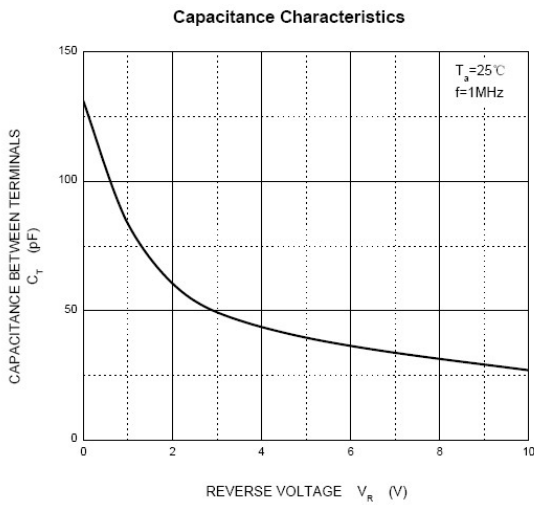
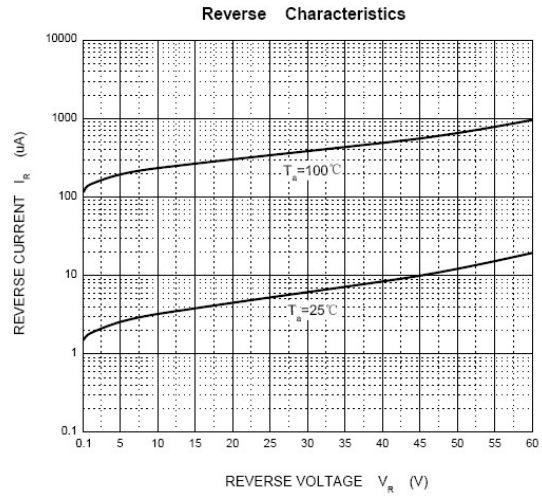
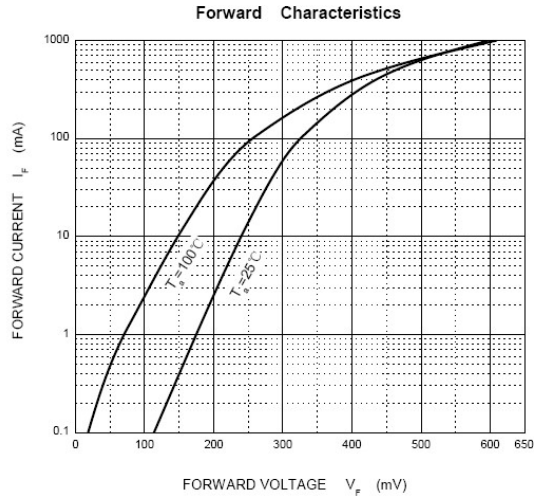
电特性 (TA = 25℃ 除非另有规定)

Electrical Characteristics (Ratings at 25℃ ambient temperature unless otherwise specified).

参数 Parameters	符号 Symbol	测试条件 Test conditions	数值 Value	单位 Unit
最大正向电压 Maximum forward voltage	VF	IF = 1.0A	0.70(max.)	V
最大反向电流 Maximum reverse current	IR	VR=60V	100(max.)	uA

B16WS

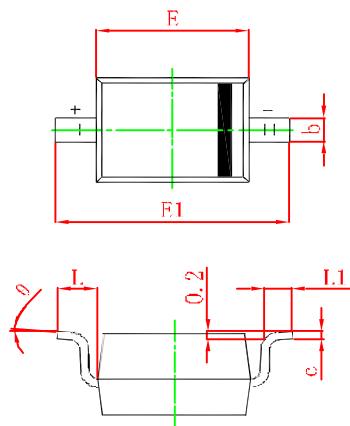
特性曲线 Characteristic Curves



SOD-323 PACKAGE OUTLINE

Plastic surface mounted package

SOD-323



Symbol	Min.(mm)	Max.(mm)
A		1.000
A1	0.000	0.100
A2	0.800	0.900
b	0.250	0.350
c	0.080	0.150
D	1.200	1.400
E	1.600	1.800
E1	2.500	2.700
L	0.475REF	
L1	0.250	0.400
θ	0°	8°