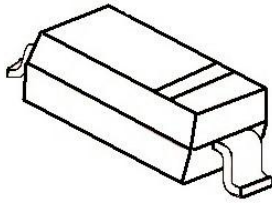


SOD-323

SOD-323 贴片塑封二极管
SOD-323 Fast Switching Diode

MARKING: JS

特征 Features

开关速度小于 50nS; Fast Switching Device (TRR <50 nS)
 最大功率耗散 200mW; Power Dissipation of 200mW
 高稳定性和可靠性; High Stability and High Reliability
 反向漏电流小; Low reverse leakage

机械数据 Mechanical Data

封装: SOD-323 封装 SOD-323 Small Outline Plastic Package
 极性: 色环端为负极 Polarity: Color band denotes cathode end
 安装位置: 任意 Mounting Position: Any

极限值和温度特性($T_A = 25^\circ\text{C}$ 除非另有规定)Maximum Ratings & Thermal Characteristics (Ratings at 25°C ambient temperature unless otherwise specified.)

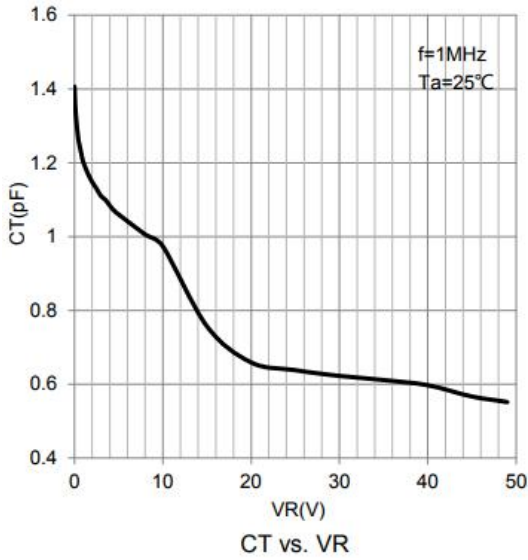
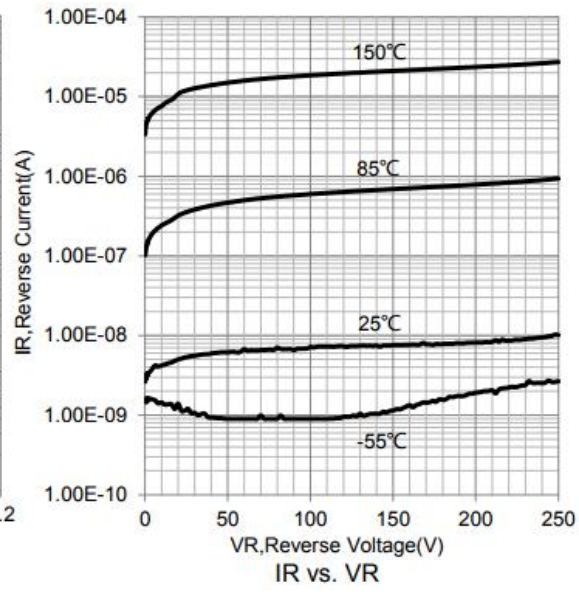
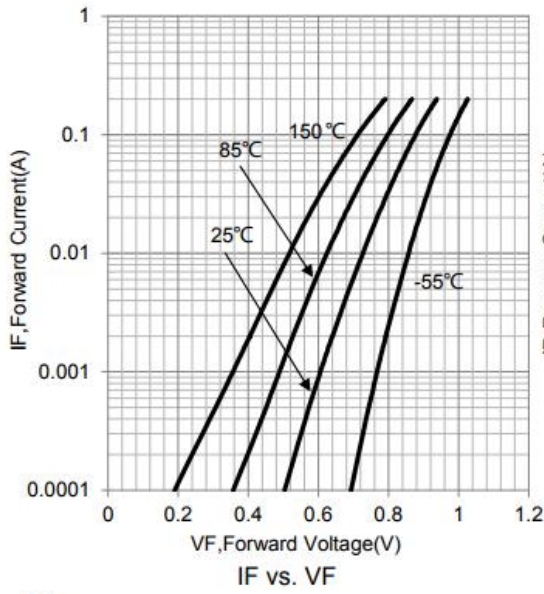
参数 Parameters	符号 Symbol	数值 Value	单位 Unit
反向电压 Reverse Voltage	V_R	250	V
反向峰值电压 Peak Repetitive Reverse Voltage	V_{RRM}	250	V
功率消耗 Power Dissipation	P_d	200	mW
工作结温 Operating junction temperature	T_j	150	$^\circ\text{C}$
存储温度 Storage temperature range	T_s	-55-+150	$^\circ\text{C}$
热阻抗 Thermal Resistance from Junction to Ambient	$R_{\theta JA}$	635	$^\circ\text{C}/\text{W}$
平均整流电流 Average Rectified Current	I_O	200	mA
正向(重复)浪涌电流 Repetitive Peak Forward Surge Current @ $t_p=1\mu\text{s}$; $T_A=25^\circ\text{C}$	I_{FRM}	625	mA

Valid provided that electrodes are kept at ambient temperature.

电特性 Electrical Characteristics (Ratings at 25°C ambient temperature unless otherwise specified).

符号 Symbols	参数 Parameter	测试条件 Test Condition	界限 Limits		单位 Unit
			Min	Max	
$V_{(BR)}$	反向电压 Reverse Voltage	$I_R=100\mu\text{A}$	250		V
I_R	反向漏电流 Reverse Leakage Current	$V_R=200\text{V}$	---	1.0	μA
V_F	正向电压 Forward Voltage	$I_F=100\text{mA}$	---	1.00	V
		$I_F=200\text{mA}$	---	1.25	
T_{RR}	反向恢复时间 Reverse Recovery Time	$I_F=I_R=30\text{mA}$	---	50	nS
		$R_L=100\Omega$			
CD	结电容 Capacitance	$V_R=0\text{V}$, $f=1\text{MHZ}$	---	5.0	pF

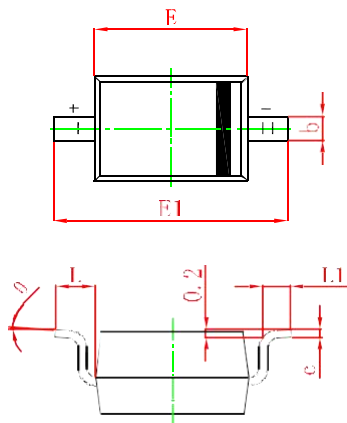
典型特性曲线 Typical Characteristics



SOD-323 PACKAGE OUTLINE

Plastic surface mounted package

SOD-323



Symbol	Min.(mm)	Max.(mm)
A		1.000
A1	0.000	0.100
A2	0.800	0.900
b	0.250	0.350
c	0.080	0.150
D	1.200	1.400
E	1.600	1.800
E1	2.500	2.700
L	0.475REF	
L1	0.250	0.400
θ	0°	8°